

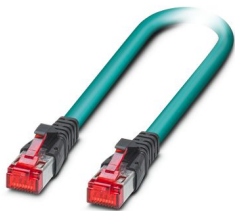
NBC-R4AC1/2,0-94G/R4AC1-BU - Patch cable



1413161

<https://www.phoenixcontact.com/us/products/1413161>

Please be informed that the data shown in this PDF document is generated from our online catalog. Please find the complete data in the user documentation. Our general terms of use for downloads are valid.



Patch cable, degree of protection: IP20, cable length: 2 m, number of positions: 8, 10 Gbps, CAT6_A, Ethernet

Your advantages

- Perfect for industrial applications
- Perfect for office, building, and protected industrial applications (e.g., in control cabinets)
- Compact angle

Commercial data

| | |
|--------------------------------------|---------------------|
| Item number | 1413161 |
| Packing unit | 1 pc |
| Minimum order quantity | 1 pc |
| Sales key | AB11 |
| Product key | ABNABH |
| Catalog page | Page 387 (C-2-2019) |
| GTIN | 4046356989961 |
| Weight per piece (including packing) | 86.6 g |
| Weight per piece (excluding packing) | 78.5 g |
| Customs tariff number | 85444210 |
| Country of origin | PL |

1413161

<https://www.phoenixcontact.com/us/products/1413161>

Technical data

Product properties

| | |
|---------------------|-------------------------|
| Product type | Data cable preassembled |
| Sensor type | Ethernet |
| Number of positions | 8 |
| Connection profile | RJ45 |
| Shielded | yes |

Signaling

| | |
|------------------------|----|
| Status display | No |
| Status display present | No |

Electrical properties

| | |
|-----------------------|-----------|
| Rated voltage (III/3) | 72 V (DC) |
| Nominal voltage U_N | 48 V |
| Nominal current I_N | 0.5 A |
| Transmission medium | Copper |
| Transmission speed | 10 Gbps |

Mechanical properties

Mechanical data

| | |
|-------------------------------------|---------|
| Insertion/withdrawal cycles | 200 |
| Insertion force per signal contact | 50.00 N |
| Extraction force per signal contact | 30 N |

Material specifications

| | |
|------------------------|-----|
| Outer sheath, material | PUR |
|------------------------|-----|

Connector

Connection 1

| | |
|----------------------|--------------------|
| Type | Plug straight RJ45 |
| Shielded | yes |
| Degree of protection | IP20 |

Connection 2

| | |
|-----------------------------|--------------------|
| Type | Plug straight RJ45 |
| Shielded | yes |
| Insertion/withdrawal cycles | ≥ 750 |
| Degree of protection | IP20 |

Cable/line

| | |
|--------------|--------|
| Cable length | 2.00 m |
|--------------|--------|

NBC-R4AC1/2,0-94G/R4AC1-BU - Patch cable



1413161

<https://www.phoenixcontact.com/us/products/1413161>

| | |
|---------------------------------|-------------------------|
| Outer sheath, material | PUR |
| External sheath, color | water blue RAL 5021 |
| Conductor structure signal line | 6.00 mm +0.2 mm -0.1 mm |
| AWG signal line | 26 |
| Material wire insulation | PE |
| Shielding | S/FTP |
| Test voltage, cable | 1000 V DC (1 minute) |
| Cable insulation resistance | 2000 MΩ*km (500 V) |
| Coupling resistance | 30.00 mΩ/m (30 MHz) |

Environmental and real-life conditions

Ambient conditions

| | |
|---------------------------------|-----------------------------------|
| Degree of protection | IP20 |
| | IP20 |
| Ambient temperature (operation) | -25 °C ... 70 °C (RJ45 connector) |

NBC-R4AC1/2,0-94G/R4AC1-BU - Patch cable

1413161

<https://www.phoenixcontact.com/us/products/1413161>



Drawings

Schematic diagram



Connector pin assignment plug RJ45

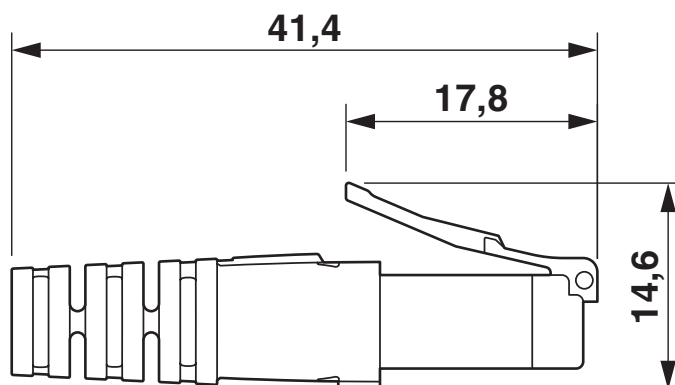
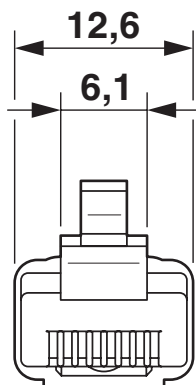
NBC-R4AC1/2,0-94G/R4AC1-BU - Patch cable



1413161

<https://www.phoenixcontact.com/us/products/1413161>

Dimensional drawing



NBC-R4AC1/2,0-94G/R4AC1-BU - Patch cable



1413161

<https://www.phoenixcontact.com/us/products/1413161>

Approvals

To download certificates, visit the product detail page: <https://www.phoenixcontact.com/us/products/1413161>



EAC

Approval ID: 19060508

NBC-R4AC1/2,0-94G/R4AC1-BU - Patch cable



1413161

<https://www.phoenixcontact.com/us/products/1413161>

Classifications

ECLASS

| | |
|-------------|----------|
| ECLASS-11.0 | 27060308 |
| ECLASS-12.0 | 27060308 |
| ECLASS-13.0 | 27060307 |

ETIM

| | |
|----------|----------|
| ETIM 9.0 | EC002599 |
|----------|----------|

UNSPSC

| | |
|-------------|----------|
| UNSPSC 21.0 | 26121600 |
|-------------|----------|

NBC-R4AC1/2,0-94G/R4AC1-BU - Patch cable



1413161

<https://www.phoenixcontact.com/us/products/1413161>

Environmental product compliance

| | |
|------------|---|
| China RoHS | Environmentally friendly use period: unlimited = EFUP-e |
| | No hazardous substances above threshold values |

NBC-R4AC1/2,0-94G/R4AC1-BU - Patch cable



1413161

<https://www.phoenixcontact.com/us/products/1413161>

Accessories

NBC-R4OC/0,3-BC5/R4OC - Patch cable

1227558

<https://www.phoenixcontact.com/us/products/1227558>



Patch cable, degree of protection: IP20, cable length: 0.3 m, number of positions: 8, CAT5, connection method: Pierce connection, connection cross section: AWG 26- 26, cable outlet: straight, Ethernet

NBC-R4OC/0,5-BC5/R4OC - Patch cable

1227559

<https://www.phoenixcontact.com/us/products/1227559>



Patch cable, degree of protection: IP20, cable length: 0.5 m, number of positions: 8, CAT5, connection method: Pierce connection, connection cross section: AWG 26- 26, cable outlet: straight, Ethernet

NBC-R4AC1/2,0-94G/R4AC1-BU - Patch cable

1413161

<https://www.phoenixcontact.com/us/products/1413161>



NBC-R4OC/1,0-BC5/R4OC - Patch cable

1227560

<https://www.phoenixcontact.com/us/products/1227560>



Patch cable, degree of protection: IP20, cable length: 1 m, number of positions: 8, CAT5, connection method: Pierce connection, connection cross section: AWG 26- 26, cable outlet: straight, Ethernet

NBC-R4OC/1,5-BC5/R4OC - Patch cable

1227561

<https://www.phoenixcontact.com/us/products/1227561>



Patch cable, degree of protection: IP20, cable length: 1.5 m, number of positions: 8, CAT5, connection method: Pierce connection, connection cross section: AWG 26- 26, cable outlet: straight, Ethernet

NBC-R4AC1/2,0-94G/R4AC1-BU - Patch cable

1413161

<https://www.phoenixcontact.com/us/products/1413161>



NBC-R4OC/2,0-BC5/R4OC - Patch cable

1227562

<https://www.phoenixcontact.com/us/products/1227562>



Patch cable, degree of protection: IP20, cable length: 2 m, number of positions: 8, CAT5, connection method: Pierce connection, connection cross section: AWG 26- 26, cable outlet: straight, Ethernet

NBC-R4OC/3,0-BC5/R4OC - Patch cable

1227563

<https://www.phoenixcontact.com/us/products/1227563>



Patch cable, degree of protection: IP20, cable length: 3 m, number of positions: 8, CAT5, connection method: Pierce connection, connection cross section: AWG 26- 26, cable outlet: straight, Ethernet

NBC-R4AC1/2,0-94G/R4AC1-BU - Patch cable

1413161

<https://www.phoenixcontact.com/us/products/1413161>



NBC-R4OC/5,0-BC5/R4OC - Patch cable

1227564

<https://www.phoenixcontact.com/us/products/1227564>



Patch cable, degree of protection: IP20, cable length: 5 m, number of positions: 8, CAT5, connection method: Pierce connection, connection cross section: AWG 26- 26, cable outlet: straight, Ethernet

NBC-R4OC/7,5-BC5/R4OC - Patch cable

1227565

<https://www.phoenixcontact.com/us/products/1227565>



Patch cable, degree of protection: IP20, cable length: 7.5 m, number of positions: 8, CAT5, connection method: Pierce connection, connection cross section: AWG 26- 26, cable outlet: straight, Ethernet

NBC-R4AC1/2,0-94G/R4AC1-BU - Patch cable

1413161

<https://www.phoenixcontact.com/us/products/1413161>



NBC-R4OC/0,3-BC6A/R4OC - Patch cable

1227572

<https://www.phoenixcontact.com/us/products/1227572>



Patch cable, degree of protection: IP20, cable length: 0.3 m, number of positions: 8, 10 Gbps, CAT6_A, connection method: Pierce connection, connection cross section: AWG 26- 26, cable outlet: straight, Ethernet

NBC-R4OC/0,5-BC6A/R4OC - Patch cable

1227573

<https://www.phoenixcontact.com/us/products/1227573>



Patch cable, degree of protection: IP20, cable length: 0.5 m, number of positions: 8, 10 Gbps, CAT6_A, connection method: Pierce connection, connection cross section: AWG 26- 26, cable outlet: straight, Ethernet

NBC-R4AC1/2,0-94G/R4AC1-BU - Patch cable

1413161

<https://www.phoenixcontact.com/us/products/1413161>



NBC-R4OC/1,0-BC6A/R4OC - Patch cable

1227575

<https://www.phoenixcontact.com/us/products/1227575>



Patch cable, degree of protection: IP20, cable length: 1 m, number of positions: 8, 10 Gbps, CAT6_A, connection method: Pierce connection, connection cross section: AWG 26- 26, cable outlet: straight, Ethernet

NBC-R4OC/1,5-BC6A/R4OC - Patch cable

1227578

<https://www.phoenixcontact.com/us/products/1227578>



Patch cable, degree of protection: IP20, cable length: 1.5 m, number of positions: 8, 10 Gbps, CAT6_A, connection method: Pierce connection, connection cross section: AWG 26- 26, cable outlet: straight, Ethernet

NBC-R4AC1/2,0-94G/R4AC1-BU - Patch cable

1413161

<https://www.phoenixcontact.com/us/products/1413161>



NBC-R4OC/2,0-BC6A/R4OC - Patch cable

1227580

<https://www.phoenixcontact.com/us/products/1227580>



Patch cable, degree of protection: IP20, cable length: 2 m, number of positions: 8, 10 Gbps, CAT6_A, connection method: Pierce connection, connection cross section: AWG 26- 26, cable outlet: straight, Ethernet

NBC-R4OC/3,0-BC6A/R4OC - Patch cable

1227581

<https://www.phoenixcontact.com/us/products/1227581>



Patch cable, degree of protection: IP20, cable length: 3 m, number of positions: 8, 10 Gbps, CAT6_A, connection method: Pierce connection, connection cross section: AWG 26- 26, cable outlet: straight, Ethernet

NBC-R4AC1/2,0-94G/R4AC1-BU - Patch cable

1413161

<https://www.phoenixcontact.com/us/products/1413161>



NBC-R4OC/5,0-BC6A/R4OC - Patch cable

1227583

<https://www.phoenixcontact.com/us/products/1227583>



Patch cable, degree of protection: IP20, cable length: 5 m, number of positions: 8, 10 Gbps, CAT6_A, connection method: Pierce connection, connection cross section: AWG 26- 26, cable outlet: straight, Ethernet

NBC-R4OC/7,5-BC6A/R4OC - Patch cable

1227585

<https://www.phoenixcontact.com/us/products/1227585>



Patch cable, degree of protection: IP20, cable length: 7.5 m, number of positions: 8, 10 Gbps, CAT6_A, connection method: Pierce connection, connection cross section: AWG 26- 26, cable outlet: straight, Ethernet

NBC-R4AC1/2,0-94G/R4AC1-BU - Patch cable

1413161

<https://www.phoenixcontact.com/us/products/1413161>



NBC-R4OC/10,0-BC6A/R4OC - Patch cable

1227588

<https://www.phoenixcontact.com/us/products/1227588>



Patch cable, degree of protection: IP20, cable length: 10 m, number of positions: 8, 10 Gbps, CAT6_A, connection method: Pierce connection, connection cross section: AWG 26- 26, cable outlet: straight, Ethernet

NBC-R4OC/12,5-BC6A/R4OC - Patch cable

1227590

<https://www.phoenixcontact.com/us/products/1227590>



Patch cable, degree of protection: IP20, cable length: 12.5 m, number of positions: 8, 10 Gbps, CAT6_A, connection method: Pierce connection, connection cross section: AWG 26- 26, cable outlet: straight, Ethernet

NBC-R4AC1/2,0-94G/R4AC1-BU - Patch cable

1413161

<https://www.phoenixcontact.com/us/products/1413161>



NBC-R4OC/15,0-BC6A/R4OC - Patch cable

1227591

<https://www.phoenixcontact.com/us/products/1227591>



Patch cable, degree of protection: IP20, cable length: 15 m, number of positions: 8, 10 Gbps, CAT6_A, connection method: Pierce connection, connection cross section: AWG 26- 26, cable outlet: straight, Ethernet

NBC-R4OC/20,0-BC6A/R4OC - Patch cable

1227593

<https://www.phoenixcontact.com/us/products/1227593>



Patch cable, degree of protection: IP20, cable length: 20 m, number of positions: 8, 10 Gbps, CAT6_A, connection method: Pierce connection, connection cross section: AWG 26- 26, cable outlet: straight, Ethernet

Phoenix Contact 2024 © - all rights reserved
<https://www.phoenixcontact.com>

Phoenix Contact USA
586 Fulling Mill Road
Middletown, PA 17057, United States
(+717) 944-1300
info@phoenixcon.com